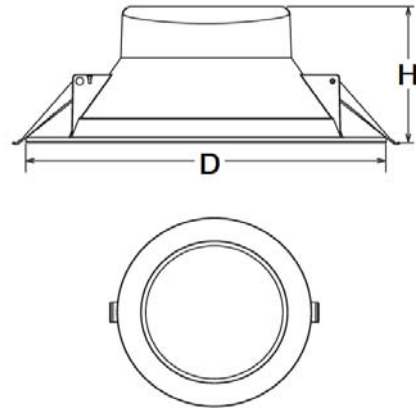


SYMBOL	TYPE	PRODUCT NAME	CONTACT NAME / NUMBER
		DOWNLIGHT	



SPECIFICATIONS	DESCRIPTION
<p>LED POWER : 20W</p> <p>OPERATING VOLTAGE : AC200-240V</p> <p>POWER FACTOR : ≥ 0.9</p> <p>LUMINOUS FLUX : 1,860lm \pm 5%</p> <p>CRI : ≥ 80</p> <p>COLOR TEMPERATURE : 3,000K-5,700K</p> <p>LIFESPAN : 30,000 HOURS</p> <p>IP RATING : IP40/44</p> <p>BEAM ANGLE : 90°</p> <p>FIXTURE WEIGHT : 0.64Kg</p>	<p>HOUSING MADE FROM DIE CASTING ALUMINUM.</p>
	INSTALLATION
	<p>RECESSED MOUTED.</p>
	STANDARD
	<p>TIS. 1955-2551</p>

MODEL	LAMP		DIMENSION (mm.)		REMARK
	WATT	TYPE	D	H	
DLED-RD303-4B820	20W	SMD	225	84	CUTOUT : 200 - 210mm