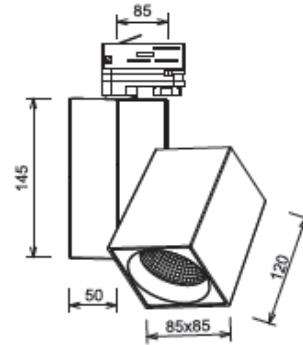


SYMBOL	TYPE	PRODUCT NAME	CONTACT NAME / NUMBER
		LED TRACK SPOTLIGHT	



SPECIFICATIONS	DESCRIPTION
INPUT VOLTAGE : 220-240VAC	MADE FROM HOUSING DIE-CAST ALUMINUM.
LED POWER : 25 W	REFLECTOR ALUMINUM ANODIZED SPECULAR SILVER.
SYSTEM POWER : 28 W	HEAT SINK ALUMINUM ANODIZED COATING.
OPERATING TEMPERATURE RANGE : -20 TO +40°C	GEAR BOX DIE-CAST ALUMINUM
LED TYPE : LED COB	
LUMEN FLUX : 2400-2500lm	
EFFICIENCY (lm/W) : 96-100 lm/W	
COLOR TEMPERATURE : 3,000-4,000K	
COLOUR RENDERING INDEX (CRI) : >80	
BEAM ANGLE : 12°/30°/45°/55°	
LED LIFETIME : 30,000 HOURS AT 25°C	
	INSTALLATION
	MOUNTED WITH TRACK RAIL
	STANDARD
	TIS. 1955-2551

MODEL	LAMP		DIMENSION (mm.)			REMARK
	WATT	TYPE	W	L	H	
DLED-TR204-2006	25W	LED	85	85	120	