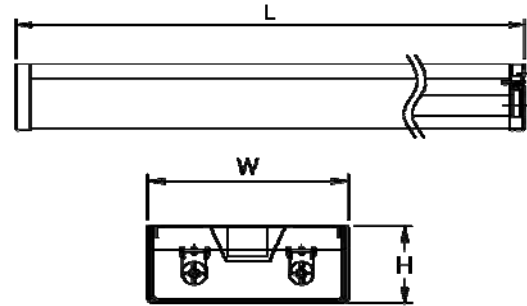


SYMBOL	TYPE	PRODUCT NAME	CONTACT NAME / NUMBER
		FLUORESCENT(U-Shape Acrylic Diffuser)	



<b>HOUSING</b>			<b>WIRING CABLE</b>			
<p>MADE FROM HIGH GRADE COLD ROLLED STEEL SHEET.</p> <p>SIX-STAGES ZINC-PHOSPHATE PRE-TREATMENT FOR RUST RESISTANT , FINISHED WITH WHITE POLTESTER POWDER BY ELECTROSTATIC METHOD TWO STAGES AND BAKED ENAMEL .</p> <p>THICKNESS <input type="checkbox"/> 0.6 mm , <input type="checkbox"/> 0.8 mm</p>			<p>THW 1x1.0 SQ.MM. 70 °C</p> <p>WIRING CABLE (STANDARD)</p>			
<b>DIFFUSER</b>			<b>LOUVER</b>			
<p>DIE-FORM IN U-SHAPE</p> <p>MADE FROM ACRYLIC <input type="checkbox"/> PRISMATIC <input type="checkbox"/> ORANGE-PEEL</p> <p><input type="checkbox"/> OPAL <input type="checkbox"/> TRANSPARENT</p>			<p>NONE</p>			
<b>REFLECTOR</b>			<b>LAMP AND HOLDER</b>			
<p>NONE</p>			<p>G13 ROTARY LOCK OR SPRING LOADED TYPE LAMP HOLDER</p>			
<b>STANDARD</b>			<b>INSTALLATION</b>			
<p>TIS.902 ๓๕๓2 (1) - 2557 WITH CLASS I AND F MARK</p> <p>TIS.1955-2551</p>			<p>SURFACE MOUNTED</p>			
MODEL	LAMP		DIMENSION (mm.)			REMARK
	WATT	TYPE	W	L	H	
DLP4-220	2x9W	LED TUBE	206	615	85	